

*PEGASUS TRANSTECH*

---

TRANSFLO Express®

Canon DR-6030C

Cleaning Instruction Manual

---

© Copyright 2010 by Pegasus TransTech Corporation  
Confidential. All rights reserved. First edition 2010.

Information in this document is subject to change without notice. The software described in this document is furnished under a license agreement or nondisclosure agreement. The software may be used or copied only in accordance with the terms of those agreements. No part of this publication may be reproduced, stored in a retrieval system or transmitted in any form or any means electronic or mechanical, including photocopying and recording for any purpose without the written permission of Pegasus TransTech.

Document History			
Release Date	Document Edition	File Name	Product Version
12/15/2010	TFX-2.1-1.0-DP-EU	Canon DR-6030C Scanner Cleaning Instructions	2.1

Release Date	Document Edition	File Name	Product Version
12/15/2010	TFX-2.1-1.0-DP-EU	Canon DR-6030C Scanner Cleaning Instructions	2.1

Revision History		
Revision Date	Owner/Modifier	Comments
12/15/2010	Scott Kuhne	Draft

Revision Date	Owner/Modifier	Comments
12/15/2010	Scott Kuhne	Draft

Direct any content questions or comments to:

Pegasus TransTech Corp.  
Product Development Documentation  
4301 W Boy Scout Blvd.  
Suite 550  
Tampa, FL 33607  
(813) 386-6000

# Table of Contents

- 1. INTRODUCTION.....4**
  - OVERVIEW ..... 4
  - PREREQUISITES ..... 4
- 2. CLEANING INSTRUCTIONS .....4**
- DOCUMENT COMMENTS .....4**

# 1. Introduction

## Overview

The Canon DR-6030C scanner is a TRANSFLO Express<sup>SM</sup> supported scanner. This document describes the process for cleaning the DR-6030C scanner.

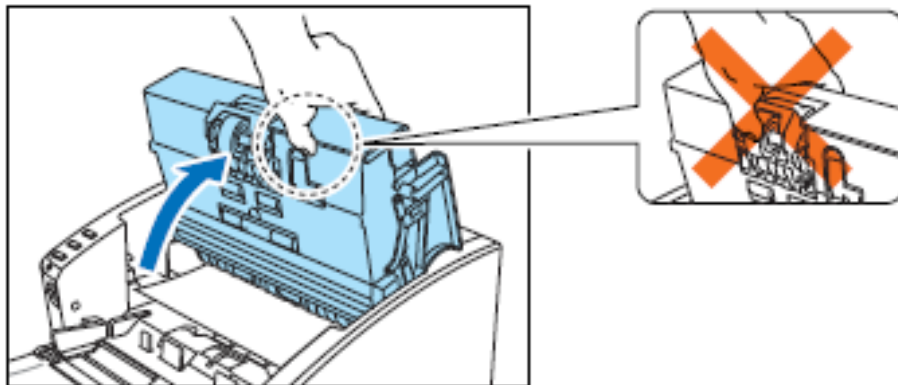
## Prerequisites

Make sure you have the following ready before you start cleaning your scanner:

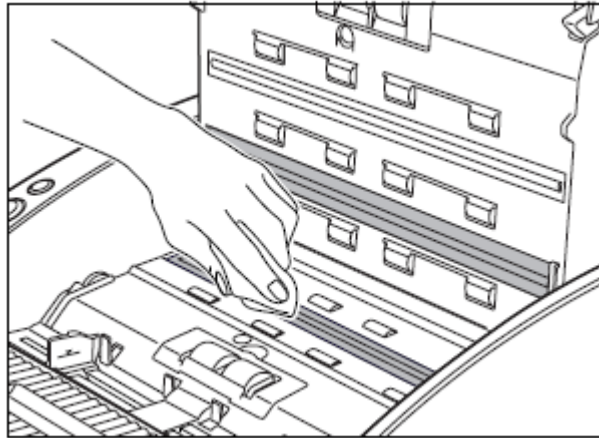
1. Clean soft cloth
2. Fellowes<sup>©</sup> cleaning wipes or Windex
3. Compressed canned air

## Cleaning Instructions

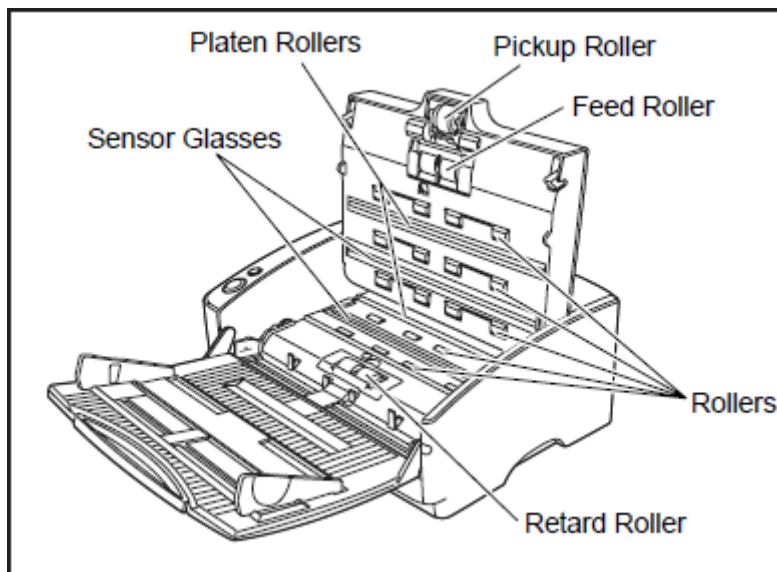
1. Turn the power off (power button on bottom, right front of scanner) and unplug the black power cord from the back of the scanner.
2. Carefully open the scanner cover by gently grasping the upper lid and swinging it up until it stops. Do not grasp the lid in the middle where the rollers are located. This can damage the rollers and cause feed problems.



- Using the pre-moistened Fellowes cleaning wipes or a small amount of Windex on a soft cloth, wipe the scanning glass on the upper unit as well as the base unit of the scanner. Scratches on the glass can cause lines to appear on the images. If you have scratches that are causing lines contact your support department to have the glass replaced.



- Use compressed air to blow the interior clean of dust and paper particles.
- Dampen a soft cloth with water, wring it out thoroughly and wipe the exposed part of the rollers. Do not try to turn the rollers. Doing so could cause damage that leads to feeding problems.

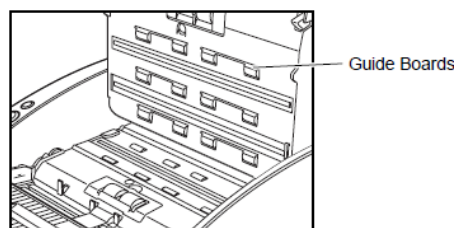


**Important:**

Do not use detergent to clean the rollers. Any detergent residue on the rollers can cause feeding problems.

Do not try to turn the rollers in the scanner. Doing so could cause damage that leads to feeding problems.

Do not bend the guide boards that are against the rollers on the upper unit.



## Document Comments

In order to provide the best documentation possible, your feedback and comments are very important to us. If you have any suggestions or comments, please complete the section below and mail or fax this form back to us at the address listed below.

---

---

---

---

---

---

---

---

---

---

---

---

---

---

---

---

---

---

---

---

---

---

---

### **Product Documentation**

Pegasus TransTech Corp.  
4301 W Boy Scout Blvd.  
Suite 550  
Tampa, FL 33607  
(813) 386-6500 (Fax)