

PEGASUS TRANSTECH

TRANSFLO Express®

Canon DR-5010C

Cleaning Instruction Manual

© Copyright 2010 by Pegasus TransTech Corporation
Confidential. All rights reserved. First edition 2010.

Information in this document is subject to change without notice. The software described in this document is furnished under a license agreement or nondisclosure agreement. The software may be used or copied only in accordance with the terms of those agreements. No part of this publication may be reproduced, stored in a retrieval system or transmitted in any form or any means electronic or mechanical, including photocopying and recording for any purpose without the written permission of Pegasus TransTech.

Document History			
Release Date	Document Edition	File Name	Product Version
12/15/2010	TFX-2.1-1.0-DP-EU	Canon DR-5010C Scanner Cleaning Instructions	2.1

Release Date	Document Edition	File Name	Product Version
12/15/2010	TFX-2.1-1.0-DP-EU	Canon DR-5010C Scanner Cleaning Instructions	2.1

Revision History		
Revision Date	Owner/Modifier	Comments
12/15/2010	Scott Kuhne	Draft

Revision Date	Owner/Modifier	Comments
12/15/2010	Scott Kuhne	Draft

Direct any content questions or comments to:

Pegasus TransTech Corp.
Product Development Documentation
4301 W Boy Scout Blvd.
Suite 550
Tampa, FL 33607
(813) 386-6000

Table of Contents

- 1. INTRODUCTION.....4**
 - OVERVIEW 4
 - PREREQUISITES 4
- 2. CLEANING INSTRUCTIONS4**
- DOCUMENT COMMENTS4**

1. Introduction

Overview

The Canon DR-5010C scanner is a TRANSFLO ExpressSM supported scanner. This document describes the process for cleaning the DR-5010C scanner.

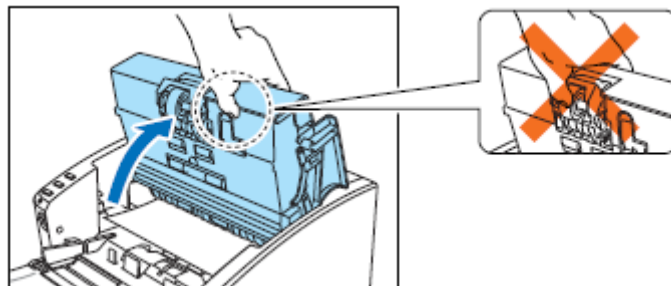
Prerequisites

Make sure you have the following ready before you start cleaning your scanner:

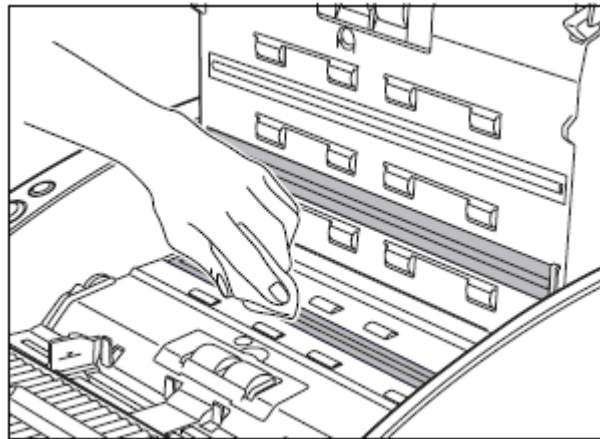
1. Clean soft cloth
2. Fellowes[©] cleaning wipes or Windex
3. Compressed canned air

Cleaning Instructions

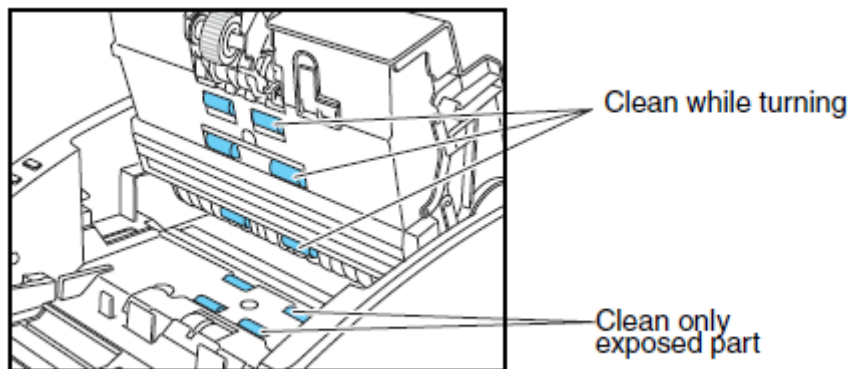
1. Turn the power off (power button on bottom, right front of scanner) and unplug the black power cord from the back of the scanner.
2. Carefully open the scanner cover by gently grasping the upper lid and swinging it up until it stops. Do not grasp the lid in the middle where the rollers are located. This can damage the rollers and cause feed problems.



- Using the pre-moistened Fellowes cleaning wipes or a small amount of Windex on a soft cloth, wipe the scanning glass on the upper unit as well as the base unit of the scanner. Scratches on the glass can cause lines to appear on the images. If you have scratches that are causing lines contact your support department to have the glass replaced.



- Use compressed air to blow the interior clean of dust and paper particles.
- Dampen a soft cloth with water, wring it out thoroughly and wipe the rollers of the upper unit while turning them. Do not turn the rollers in the lower part of the scanner. Clean these rollers by simply wiping the exposed part.

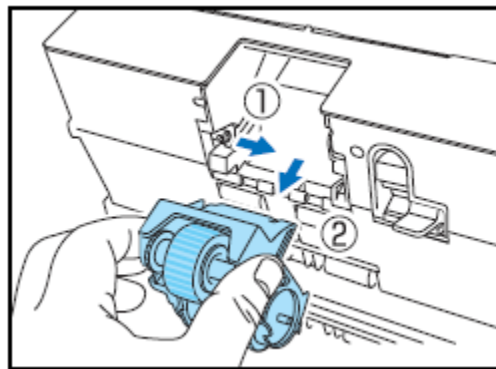
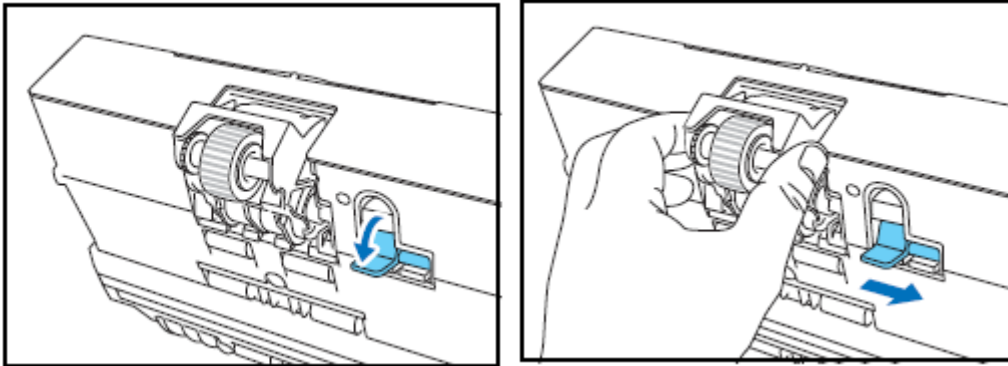


Important:

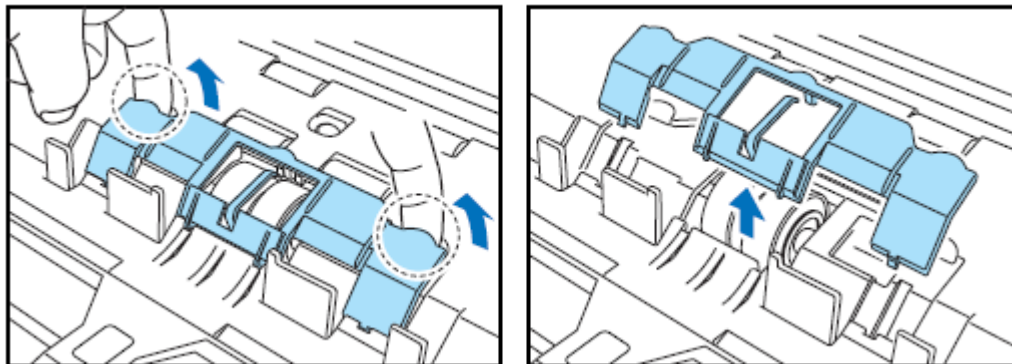
Do not use detergent to clean the rollers. Any detergent residue on the rollers can cause feeding problems.

Do not try to turn the rollers in the bottom of the scanner. Doing so could cause damage that leads to feeding problems.

6. Remove the roller unit.



7. Remove the retard unit.



Product Documentation

Pegasus TransTech Corp.

4301 W Boy Scout Blvd.

Suite 550

Tampa, FL 33607

(813) 386-6500 (Fax)